

t h e a r t  
O F K I T C H E N D E S I G N



Kitchen extras guide for owners



**Roundel**

## Terminology used in this catalogue

- (L) Length = The dimension from side to side  
 (w) Width = The dimension from front to back  
 (h) Height = The dimension from top to bottom

Corner base



L-shape corner base



Oven unit



Sink base



Full door Door & Drawer 2 Drawer 3 Drawer 4 Drawer 5 Drawer



Length	Single Base units	Code
300	Full door Door & Drawer	B030AF B030B
400	Full door Door & Drawer	B040AF B040B
450	Full door Door & Drawer	B045AF B045B
500	Full door Door & Drawer	B050AF B050B
600	Full door Door & Drawer	B060AF B060B

Length	Double Base units	Code
800	Full door Door & Drawer	B080AF B080B
900	Full door Door & Drawer	B090AF B090B
1000	Full door Door & Drawer	B100AF B100B

Length	2 Drawer units	Code
500	2 Drawer	B050G2
600	2 Drawer	B060G2
1000	2 Drawer	B100G2

Length	3 Drawer units	Code
500	3 Drawer	B050DG
600	3 Drawer	B060DG
1000	3 Drawer	B100DG

Length	4 Drawer units	Code
500	4 Drawer	B050DE
600	4 Drawer	B060DE

Length	5 Drawer units	Code
300	5 Drawer	B030D5
400	5 Drawer	B040D5
500	5 Drawer	B050D5
600	5 Drawer	B060D5

Length	Reduced depth single base units	Code
300	Full door Door & Drawer	B030AFN B030BN
400	Full door Door & Drawer	B040AFN B040BN
450	Full door Door & Drawer	B045AFN B045BN
500	Full door Door & Drawer	B050AFN B050BN
600	Full door Door & Drawer	B060AFN B060BN

Length	Reduced depth double base units	Code
800	Full door Door & Drawer	B080AFN B080BN
900	Full door Door & Drawer	B090AFN B090BN
1000	Full door Door & Drawer	B100AFN B100BN

Length	Corner base units	Code
800	Full door Door & Drawer	BC080AF BC080B
1000	Full door Door & Drawer	BC110AF BC110B

Length	L-shape corner base units	Code
950	Full door Door & Drawer	BLC095AF BLC095B

Length	Corner base 1/2 carousel units	Code
800	Full door Door & Drawer	BC080AFS BC080BS
1000	Full door Door & Drawer	BC110AFS BC110BS

Length	L-shape corner base 3/4 carousel units	Code
950	Full door Door & Drawer	BLC095AFC BLC095BC

Length	Built under oven unit	Code
600	Built under oven housing Oven support brackets & 115mm (h) frontal As BO060 with 115mm (h) tray drawer For double built under oven Built under microwave housing	BO060 BK060 BO060TD BSO060 BO060E
900	Built under oven housing	BO090

Length	Sink base units	Code
500	Full door Dummy drawer	S050AF S050B
600	Full door Dummy drawer	S060AF S060B
800	Full door 2 Dummy drawers	S080AF S080B
1000	Full door 1 Dummy drawer, 1 working drawer 2 Dummy drawers	S100AF S100B S100B2

Length	Appliance frontals	Code
600	Extractor door 450-495mm (h) Extractor door 570mm (h) Over hood panel 140mm (h)	H060F HH060F H060FP
450	Full door 2 Part Lower door	F45AF F45A F45
600	Full door 2 Part Lower door	F60AF F60A F60

Length	Stowaway base units	Code
450	Full door 2 Part	ST045AF ST045A
500	Full door 2 Part	ST050AF ST050A
600	Full door 2 Part	ST060AF ST060A

Length	Base plinth 150mm (h)	Code
450	Plinth	BP045
500	Plinth	BP050
600	Plinth	BP060
	Plinth length	PL150
	Plinth return	PLR

Code	Additional internal shelves
ZISB030	Base interior shelf 300mm inc supports
ZISB040	Base interior shelf 400mm inc supports
ZISB045	Base interior shelf 450mm inc supports
ZISB050	Base interior shelf 500mm inc supports
ZISB060	Base interior shelf 600mm inc supports
ZISB100	Base interior shelf 1000mm inc supports

Length	Short oven housing units 1257mm (h)	Code
600	<ol style="list-style-type: none"> <li>1. Single oven housing</li> <li>2. Single oven housing inc drawers</li> <li>3. Double oven housing inc drawers</li> <li>4. Combi housing</li> </ol>	SOH060SL SOH060SLG2 SOH060 SOH060E



Length	Short fridge freezer housings 1257mm (h)	Code
600	<ol style="list-style-type: none"> <li>1. Larder fridge freezer housing</li> <li>2. Fridge freezer housing</li> </ol>	SFH060I SFH060IG



Length	Short broom units 1257mm (h)	Code
300	1. Broom cupboard	SBR030
500	1. Broom cupboard	SBR050
600	1. Broom cupboard	SBR060

Length	Short larder units 1257mm (h)	Code
300	2. Larder cupboard	SL030
500	2. Larder cupboard	SL050
600	2. Larder cupboard	SL060

Length	Short larder pull-out units 1257mm (h)	Code
300	3. Larder pull-out cupboard	SPLS030
500	3. Larder pull-out cupboard	SPLS050
600	3. Larder pull-out cupboard	SPLS060



Length	High oven housings 1965mm (h)	Code
600	<ol style="list-style-type: none"> <li>1. Single oven housing</li> <li>2. Single oven housing inc drawers</li> <li>3. Double oven housing</li> <li>4. Double oven housing inc drawers</li> <li>5. Combi housing</li> </ol>	HOH060SL HOH060SLG2 HOH060 HOH060G HOH060E



Length	High fridge freezer housings 1965mm (h)	Code
600	<ol style="list-style-type: none"> <li>1. Fridge freezer housing</li> <li>2. 2 Fridge freezer housing</li> <li>3. Larder fridge freezer housing</li> </ol>	HFFH060i HFFH0602i HFFH060Mi



Length	High broom units 1965mm (h)	Code
300	1. Broom cupboard	HBR030
500	1. Broom cupboard	HBR050
600	1. Broom cupboard	HBR060


Length	High larder units 1965mm (h)	Code
300	2. Larder cupboard	HL030
500	2. Larder cupboard	HL050
600	2. Larder cupboard	HL060

Length	High larder pull-out units 1965mm (h)	Code
300	3. Larder pull-out cupboard	HPLS030
500	3. Larder pull-out cupboard	HPLS050
600	3. Larder pull-out cupboard	HPLS060



Illustrations should be used for guidance only and do not represent actual products. Units do not include worktop and plinth. These are to be ordered as separate items.

Length	Tall oven housings 2145mm (h)	Code
600	<ol style="list-style-type: none"> <li>1. Single oven housing</li> <li>2. Single oven housing inc drawer</li> <li>3. Double oven housing</li> <li>4. Double oven housing inc drawer</li> <li>5. Combi housing</li> </ol>	TOH060SL TOH060SLG2 TOH060 TOH060G TOH060E



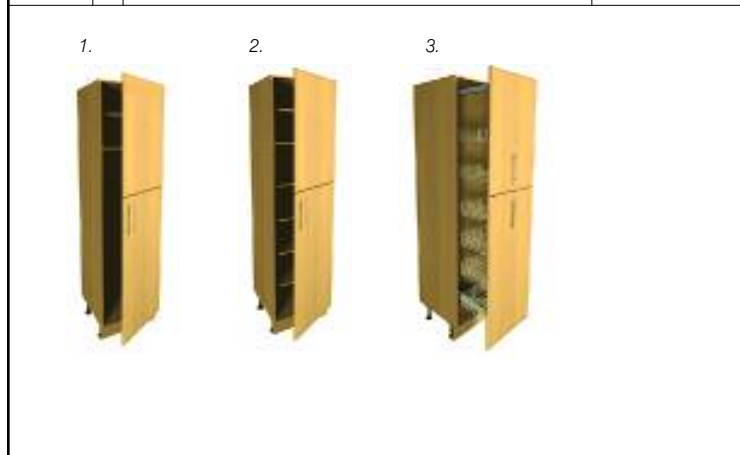
Length	Tall fridge freezer housings 2145mm (h)	Code
600	<ol style="list-style-type: none"> <li>1. Fridge freezer housing</li> <li>2. 2 Fridge freezer housing</li> <li>3. Larder fridge freezer housing</li> </ol>	TFH060i TFFH0602i TFFH0602Mi



Length	Tall broom units 2145mm (h)	Code
300	1. Broom cupboard	TBR030
500	1. Broom cupboard	TBR050
600	1. Broom cupboard	TBR060

Length	Tall larder units 2145mm (h)	Code
300	2. Larder cupboard	TL030
500	2. Larder cupboard	TL050
600	2. Larder cupboard	TL060

Length	Tall larder pull-out units 2145mm (h)	Code
300	3. Larder pull-out cupboard	TPLS030
500	3. Larder pull-out cupboard	TPLS050
600	3. Larder pull-out cupboard	TPLS060













## Appliances.

Roundel have carefully selected a broad range of appliance manufacturers to create the perfect package for your kitchen and are priced to suit every style and budget.

We stock a vast range of appliances from major suppliers, please phone for a quote.

As manufacturers of bespoke furniture, each housing is made specifically for the appliance in each kitchen. Therefore it is important to state make and model of appliance when ordering.



Base end shelf 300mm(L) x 570mm(w) 	Base open shelf 570mm(w) 
Supplied with fixed plinth and scribing filler. Specify: Left or Right Hand <b>BOS30</b>	<b>B030OT</b> <b>B040OT</b> <b>B045OT</b> <b>B050OT</b> <b>B060OT</b>
Base wine unit 150mm(L) x 570mm(w) 	Base wine unit 300mm(L) x 570mm(w) 
6 bottle compartments <b>B015WR</b>	12 bottle compartments <b>B030WR</b>
Base wine unit chrome 150mm(L) x 570mm(w) 	Base wine unit chrome 300mm(L) x 570mm(w) 
5 bottle compartments <b>B015OTWR</b>	15 bottle compartments <b>B030OTWR</b>
Tray spacer 290mm(L) x 570mm(w) 	Open spacer 290mm(L) x 570mm(w) 
<b>TR29</b>	<b>OS29</b>
Base unit wicker 570mm(w) 	Base unit pull out towel rail 150mm(L) x 570mm(w) 
<b>B040BWD</b> <b>B050BWD</b> <b>B060BWD</b>	<b>B030TU</b>

Length	High wall units 715mm (h)	Code
300	High wall unit	HW030
400	High wall unit	HW040
450	High wall unit	HW045
500	High wall unit	HW050
500	High wall unit glass	HW050G
500	High wall unit framed glass	HW050FG
600	High wall unit	HW060

Length	Tall wall units 895mm (h)	Code
300	Tall wall unit	TW030
400	Tall wall unit	TW040
450	Tall wall unit	TW045
500	Tall wall unit	TW050
500	Tall wall unit glass	TW050G
500	Tall wall unit framed glass	TW050FG
600	Tall wall unit	TW060

Length	Double high wall units 715mm (h)	Code
800	High wall unit	HW080
900	High wall unit	HW090
1000	High wall unit	HW100
1000	High wall unit glass	HW100G
1000	High wall unit framed glass	HW100FG

Length	Double tall wall units 895mm (h)	Code
800	Tall wall unit	TW080
900	Tall wall unit	TW090
1000	Tall wall unit	TW100
1000	Tall wall unit glass	TW100G
1000	Tall wall unit framed glass	TW100FG

Length	Corner high wall units (Blanking panel) 715mm (h)	Code
800	Corner high wall unit	HW080CE
1000	Corner high wall unit	HW110CE

Length	Corner tall wall units (Blanking panel) 895mm (h)	Code
800	Corner tall wall unit	TW080CE
1000	Corner tall wall unit	TW110CE

Length	L-Shape corner high wall units 715mm (h)	Code
650	L-Shape corner high wall unit	HW065CW


Length	L-Shape corner tall wall units 895mm (h)	Code
650	L-Shape corner tall wall unit	TW065CW


Length	Diagonal corner high wall units 715mm (h)	Code
650	Diagonal corner high wall unit	HW065DCW


Length	Diagonal corner tall wall units 895mm (h)	Code
650	Diagonal corner tall wall unit	TW065DCW



Length	High showcase units 1205mm (h) t/s 40mm W/top	Code
500	High showcase unit	HSC050
500	High showcase unit glass	HSC050G
500	High showcase unit framed glass	HFGSC050


Length	Tall showcase units 1385mm (h) t/s 40mm W/top	Code
500	Tall showcase unit	TSC050
500	Tall showcase unit glass	TSC050G
500	Tall showcase unit framed glass	TFGSC050



High wall accessories 715mm (h)	High wall open end shelf 300mm(L) x 300mm(w) 
	HWOS030



Tall wall accessories 895mm (h)	Tall wall open end shelf 300mm(L) x 300mm(w) 
	TWOS030



High wall wine unit 150mm(L) x 300mm(w) 	High wall wine unit 300mm(L) x 300mm(w) 
6 bottle compartments HW015WR	12 bottle compartments HW030WR

Tall wall wine unit 150mm(L) x 300mm(w) 	Tall wall wine unit 300mm(L) x 300mm(w) 
6 bottle compartments TW015WR	12 bottle compartments TW030WR

High wall chrome wine unit 150mm(L) x 300mm(w) 	High wall chrome wine unit 300mm(L) x 300mm(w) 
HW015OTWR	HW030OTWR

Tall wall chrome wine unit 150mm(L) x 300mm(w) 	Tall wall chrome wine unit 300mm(L) x 300mm(w) 
TW015OTWR	TW030OTWR

High wall open shelf 300mm(w) 	High wall open shelf inc Plate rack 300mm(w) 
HW030OT HW040OT HW045OT HW050OT HW060OT	HW030PR HW040PR HW045PR HW050PR HW060PR

Tall wall open shelf 300mm(w) 	Tall wall open shelf inc Plate rack 300mm(w) 
TW030OT TW040OT TW045OT TW050OT TW060OT	TW030PR TW040PR TW045PR TW050PR TW060PR

**Please Note:**

All glazed units have glass adjustable shelves.

Length	Over cupboard wall units 290mm (h)	Code
500	Over cupboard wall unit	W0500
600	Over cupboard wall unit	W0600
1000	Over cupboard wall unit	W1000

Length	Over cupboard wall units 360mm (h)	Code
500	Over cupboard wall unit	HW0500
600	Over cupboard wall unit	HW0600
1000	Over cupboard wall unit	HW1000

Width	Decor end panels	Code
590	Base end panel 900mm (h)	BDEP
590	Short end panel 1437mm (h)	SDEP
590	High end panel 2145mm (h)	HTDEP
590	Tall end panel 2325mm (h)	TTDEP
320	High wall end panel 715mm (h)	HWDEP
320	Tall wall end panel 895mm (h)	TWDEP
320	High showcase end panel 1205mm (h)	HSCDEP
320	Tall showcase end panel 1385mm (h)	TSCDEP

Length	Fillers	Code
155	Base filler 720mm (h)	BF
155	Short base filler 1257mm (h)	SF
155	High base filler 1965mm (h)	HTF
155	Tall base filler 2145mm (h)	TTF
155	Wall filler 290mm (h)	WFO
155	High wall filler 360mm (h)	HWFO
155	High wall filler 715mm (h)	HWF
155	High showcase filler 1205mm (h)	HSCF
155	Tall wall filler 895mm (h)	TWF
155	Tall showcase filler 1385mm (h)	TSCF

Code	Miscellaneous
BCP	Base corner post
BUBP	Base unit back panel

Code	Additional internal shelves
ZISW030	Wall interior shelf to suit 300mm (L) inc supports
ZISW040	Wall interior shelf to suit 400mm (L) inc supports
ZISW045	Wall interior shelf to suit 450mm (L) inc supports
ZISW050	Wall interior shelf to suit 500mm (L) inc supports
ZISW060	Wall interior shelf to suit 600mm (L) inc supports
ZISW100	Wall interior shelf to suit 1000mm (L) inc supports
ZIGSW050	Glass wall interior shelf to suit 500mm (L) inc supports

Code	Description
TM	Top mould cut and mitred (Price per Metre)
TM2	Top mould length
LP	Lighting pelmet cut and mitred (Price per Metre)
LP2	Lighting pelmet length
CORNERCAP	Plinth cover cap
ZMH100	100 Degree metal hinge & plate
CARC.EDGING	Carcase edging tape
DOORHANDLE	Door handle
DRAWERHANDLE	Drawer handle
ZCT400	Metabox BEIGE cutlery tray
ZCT500G	Metabox GREY cutlery tray
ZCT600G	Metabox GREY cutlery tray
ZDB999	Decor board
DBP	Decor bridging panel

Code	Worktop per metre 40mm (h)
W401	40mm (h) Worktop 600 SPF
W4067	40mm (h) Worktop 670 DPF
W409	40mm (h) Worktop 900 DPF

Code	Worktop blank 40mm (h)
WTB401	40mm (h) 600 SP/formed Full W/top Blank
WTB4067	40mm (h) 670 DP/formed Full W/top Blank
WTB409	40mm (h) 900 DP/formed Full W/top Blank

Code	Worktop services
BSJ+COLORFILL	Butt & scribe joint inc Colourfill
SBJ+COLORFILL	Straight butt joint inc Colourfill
BOS30WA	Angle cut and Laminate
BRE6	670mm (w) Bow radius end
BRE9	900mm (w) Bow radius end
DCJS4	Corner jointing strip for 40mm (h) worktops
DSJS4	Straight jointing strip for 40mm (h) worktops
ZCWTS	Chrome w/top support leg

Code	Upstands and splashbacks
WUP100	100mm(h) x 12mm(w) Upstand edged 1L & 2S
WUP150	150mm(h) x 12m(w) Upstand edged 1L & 2S
HBP6	600mm(L) x 12mm(w) Brushed aluminium panel
WSB8_75	800mm(L) x 12mm(w) x 750mm(h) W/top splashback

With this document there should be a booklet on how to look after your kitchen, which will have contact information.

When contacting us please have your reference number and/or development name and plot number.  
This will allow us to view the plans of your kitchen, and enable us to help you with your purchase or enquiry.

**This document contains only a small proportion of our complete furniture range.  
We also have a vast selection of Appliances, sinks, taps and Granite worktops.  
Please feel free to contact us for further information and prices.**



Roundel Manufacturing Ltd. Harton Centre, Harton Lane, South Shields, Tyne & Wear. NE34 0EE  
Telephone: 0191 427 8424 Facsimile: 0191 427 0902 www.roundelkitchens.co.uk

No part of this publication may be reproduced, stored or transmitted in any form by a retrieval system both, electrical or mechanical including photocopying or any other nature without the written permission or prior consent of Roundel Manufacturing Ltd. Issue reference 07/07